



SPECIALIZED IN  
CORPORATE APPARELS

**INSPIRED**  
COMFORT Vol.

**11**

2024 - 2025 SERIES

[www.uzone.com.my](http://www.uzone.com.my)

# WE PRIDE OURSELVES

In being one of a few remaining uniform companies offering high-quality, custom made uniforms that meet your exact specification.





# ABOUT US

A professional and prestigious uniform brand in Malaysia, UZONE has been the long-standing supplier of quality and impressive uniforms to Local enterprises, winning a sterling reputation and establishing itself as the company of choice for national uniform designers.

An exclusive B2B brand by Hern Loong Perniagaan Sdn Bhd (63818-U), UZONE has won the prestigious Asia Pacific Top Excellence Brand Award. We are the top brand in uniform manufacturing and are proud to be the long-term supplier of quality uniforms to a substantial number of B2B and B2C enterprises in Malaysia.

Hern Loong has its own manufacturing plant. From cloth selection to production to packaging and delivery, we perfect the quality of our finished products all the way. Coupled with a high-end counter service and manufacturing spirit, we are able to ensure that every uniform UZONE manufactures meets the most demanding customer expectation!

# TABLE OF CONTENT

- 05 SUPREME COTTON LINEN
- 09 DENIM SHIRT
- 16 FINED STITCHED COTTON
- 19 HOT ITEM
- 20 SUPER FINED OXFORD
- 22 SUPER FINED SOFT OXFORD
- 24 BELLINI SOFT OXFORD
- 29 SOFT COMB COTTON
- 46 POLYSOFT
- 50 SILKA COTTON
- 53 MICRO COTTON RAYON
- 58 TROUSER
- 61 APRON
- 66 INDUSTRIAL JACKET
- 69 CLEARANCE STOCK



**uzone**<sup>®</sup>



**NEW**  
*Design*

**NEW**  
*Design*

CORPORATE UNIFORM  
**SUPREME**  
**COTTON LINEN**  
SHORT SLEEVE / LONG SLEEVE

**+ MATERIAL**  
80% POLYESTER  
20% RAYON FIBER DYED SHIRTING



**MALE**  
SIZES : S -3XL



BACK VIEW

LIGHT BLUE / STRIPE GREY & WHITE  
SCL 1201



NAVY / STRIPE GREY & WHITE  
SCL 1202

WHITE / STRIPE RED & WHITE  
SCL 1200

BLACK / STRIPE BLACK & WHITE  
SCL 1203

MEN'S SHORT SLEEVE	S	M	L	XL	2XL	3XL
CHEST	40"	42"	44"	46"	48"	50"
SHOULDER	17"	18"	19"	20"	21"	22"
SHIRT LENGTH	28"	29"	30"	30.5"	31"	31"
SHORT SLEEVE LENGTH	10"	10"	10.5"	11"	11.5"	12"

**FEMALE**  
SIZES : S -3XL



BACK VIEW

NAVY / STRIPE GREY & WHITE  
SCL 1102



WHITE / STRIPE RED & WHITE  
SCL 1100

LIGHT BLUE / STRIPE GREY & WHITE  
SCL 1101

BLACK / STRIPE BLACK & WHITE  
SCL 1103

WOMEN'S LONG SLEEVE	S	M	L	XL	2XL	3XL
CHEST	38"	40"	42"	44"	46"	48"
SHOULDER	14.5"	15"	15.5"	16"	16.5"	17"
SHIRT LENGTH	28"	28.5"	29"	29.5"	30"	30.5"
LONG SLEEVE LENGTH	22"	22.5"	22.5"	23"	23"	23.5"

**Uzone**<sup>®</sup>



CORPORATE UNIFORM  
**FINED SOFT DENIM SHIRT**  
 LONG SLEEVE

+ MATERIAL 100% COTTON



**MALE**  
 SIZES : S -3XL



LIGHT BLUE / NAVY  
**SJ02**



NAVY / LIGHT BLUE  
**SJ06**



BACK VIEW



MEN'S LONG SLEEVE	S	M	L	XL	2XL	3XL
CHEST	40"	42"	44"	46"	48"	50"
SHOULDER	17"	18"	19"	20"	21"	22"
SHIRT LENGTH	28"	29"	30"	30.5"	31"	31"
LONG SLEEVE LENGTH	23"	23.5"	24"	24.5"	25"	25.5"

**FEMALE**  
 SIZES : S -3XL



LIGHT BLUE / NAVY  
**SJ03**



NAVY / LIGHT BLUE  
**SJ07**



BACK VIEW



WOMEN'S LONG SLEEVE	S	M	L	XL	2XL	3XL
CHEST	38"	40"	42"	44"	46"	48"
SHOULDER	14.5"	15"	15.5"	16"	16.5"	17"
SHIRT LENGTH	28"	28.5"	29"	29.5"	30"	30.5"
LONG SLEEVE LENGTH	22"	22.5"	22.5"	23"	23"	23.5"



CORPORATE UNIFORM

# DENIM SHIRT

SHORT SLEEVE /  
3/4 SLEEVE

**+** MATERIAL 100% COTTON

## MALE

SIZES : S -3XL



BLACK J 08



BACK VIEW



NAVY J 02



LIGHT BLUE J 06



MEN'S SHORT SLEEVE	S	M	L	XL	2XL	3XL
CHEST	40"	42"	44"	46"	48"	50"
SHOULDER	17"	18"	19"	20"	21"	22"
SHIRT LENGTH	28"	29"	30"	30.5"	31"	31"
SHORT SLEEVE LENGTH	10"	10"	10.5"	11"	11.5"	12"

## FEMALE

SIZES : S -3XL



NAVY J 03



BACK VIEW



BLACK J 09



LIGHT BLUE J 05



WOMEN'S 3/4 SLEEVE	S	M	L	XL	2XL	3XL
CHEST	38"	40"	42"	44"	46"	48"
SHOULDER	14.5"	15"	15.5"	16"	16.5"	17"
SHIRT LENGTH	28"	28.5"	29"	29.5"	30"	30.5"
3/4 SLEEVE LENGTH	13"	14"	14"	14.5"	15"	15"



CORPORATE UNIFORM  
**FINED SOFT  
 DENIM SHIRT**

LONG SLEEVE

**+** MATERIAL 100% COTTON

**MALE**  
 SIZES : S -3XL



MEN'S LONG SLEEVE	S	M	L	XL	2XL	3XL
CHEST	40"	42"	44"	46"	48"	50"
SHOULDER	17"	18"	19"	20"	21"	22"
SHIRT LENGTH	28"	29"	30"	30.5"	31"	31"
LONG SLEEVE LENGTH	23"	23.5"	24"	24.5"	25"	25.5"

NAVY / WHITE STRIPE  
 SJS 02

BACK VIEW

**FEMALE**  
 SIZES : S -3XL



WOMEN'S LONG SLEEVE	S	M	L	XL	2XL	3XL
CHEST	38"	40"	42"	44"	46"	48"
SHOULDER	14.5"	15"	15.5"	16"	16.5"	17"
SHIRT LENGTH	28"	28.5"	29"	29.5"	30"	30.5"
LONG SLEEVE LENGTH	22"	22.5"	22.5"	23"	23"	23.5"

NAVY / WHITE STRIPE  
 SJS 03

BACK VIEW

CORPORATE UNIFORM  
**FINED STITCHED  
 COTTON**

SHORT SLEEVE / LONG SLEEVE

**+ MATERIAL**  
 40% POLYESTER  
 60% COTTON OXFORD



**MALE**  
 SIZES : S -3XL



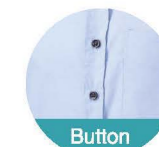
MEDIUM BLUE  
 FS 01



BACK VIEW



LIGHT BLUE  
 FS 03



Button



Pocket

MEN'S SHORT SLEEVE	S	M	L	XL	2XL	3XL
CHEST	40"	42"	44"	46"	48"	50"
SHOULDER	17"	18"	19"	20"	21"	22"
SHIRT LENGTH	28"	29"	30"	30.5"	31"	31"
SHORT SLEEVE LENGTH	10"	10"	10.5"	11"	11.5"	12"

**FEMALE**  
 SIZES : S -3XL



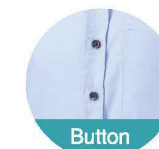
MEDIUM BLUE  
 FS 02



BACK VIEW



LIGHT BLUE  
 FS 04



Button

WOMEN'S LONG SLEEVE	S	M	L	XL	2XL	3XL
CHEST	38"	40"	42"	44"	46"	48"
SHOULDER	14.5"	15"	15.5"	16"	16.5"	17"
SHIRT LENGTH	28"	28.5"	29"	29.5"	30"	30.5"
LONG SLEEVE LENGTH	22"	22.5"	22.5"	23"	23"	23.5"

**NEW**  
*Design*



**4zone**<sup>®</sup>



CORPORATE UNIFORM  
**SUPER FINED  
 SOFT  
 OXFORD**

LONG SLEEVE

- + MATERIAL  
 60% POLYESTER  
 40% COTTON



**MALE**  
 SIZES : S -3XL  
 WHITE  
 MOF 01

MEN'S LONG SLEEVE	S	M	L	XL	2XL	3XL
CHEST	40"	42"	44"	46"	48"	50"
SHOULDER	17"	18"	19"	20"	21"	22"
SHIRT LENGTH	28"	29"	30"	30.5"	31"	31"
LONG SLEEVE LENGTH	23"	23.5"	24"	24.5"	25"	25.5"

**FEMALE**  
 SIZES : S -3XL  
 WHITE  
 FOF 02

WOMEN'S LONG SLEEVE	S	M	L	XL	2XL	3XL
CHEST	38"	40"	42"	44"	46"	48"
SHOULDER	14.5"	15"	15.5"	16"	16.5"	17"
SHIRT LENGTH	28"	28.5"	29"	29.5"	30"	30.5"
LONG SLEEVE LENGTH	22"	22.5"	22.5"	23"	23"	23.5"



CORPORATE UNIFORM

# SUPER FINED

## SOFT OXFORD

SHORT SLEEVE / 3/4 SLEEVE

**+** MATERIAL  
60% POLYESTER  
40% COTTON

## MALE

SIZES : S -3XL

MEN'S SHORT SLEEVE	S	M	L	XL	2XL	3XL
CHEST	40"	42"	44"	46"	48"	50"
SHOULDER	17"	18"	19"	20"	21"	22"
SHIRT LENGTH	28"	29"	30"	30.5"	31"	31"
SHORT SLEEVE LENGTH	10"	10"	10.5"	11"	11.5"	12"



WHITE / APPLE GREEN  
OF 1002



BACK  
VIEW



WHITE / ROYAL BLUE  
OF 1000



WHITE / RED  
OF 1001



WHITE / CYAN  
OF 1003



WHITE / BLACK  
OF 1005



WHITE / NAVY  
OF 1006

## FEMALE

SIZES : S -3XL

WOMEN'S 3/4 SLEEVE	S	M	L	XL	2XL	3XL
CHEST	38"	40"	42"	44"	46"	48"
SHOULDER	14.5"	15"	15.5"	16"	16.5"	17"
SHIRT LENGTH	28"	28.5"	29"	29.5"	30"	30.5"
3/4 SLEEVE LENGTH	13"	14"	14"	14.5"	15"	15"



WHITE / BLACK  
OF 1105



BACK  
VIEW



WHITE / ROYAL BLUE  
OF 1100



WHITE / RED  
OF 1101



WHITE / APPLE GREEN  
OF 1102



WHITE / CYAN  
OF 1103



WHITE / NAVY  
OF 1106

# CORPORATE UNIFORM BELLINI SOFT OXFORD

LONG SLEEVE

**+ MATERIAL**  
60% POLYESTER  
40% COTTON



## MALE SIZES : S -3XL

MEN'S LONG SLEEVE	S	M	L	XL	2XL	3XL
CHEST	40"	42"	44"	46"	48"	50"
SHOULDER	17"	18"	19"	20"	21"	22"
SHIRT LENGTH	28"	29"	30"	30.5"	31"	31"
LONG SLEEVE LENGTH	23"	23.5"	24"	24.5"	25"	25.5"



BLACK  
OF 1215



BACK  
VIEW



LIGHT GREY  
OF 1211



MEDIUM NAVY  
OF 1212



LIGHT BLUE  
OF 1213

## FEMALE SIZES : S -3XL

WOMEN'S LONG SLEEVE	S	M	L	XL	2XL	3XL
CHEST	38"	40"	42"	44"	46"	48"
SHOULDER	14.5"	15"	15.5"	16"	16.5"	17"
SHIRT LENGTH	28"	28.5"	29"	29.5"	30"	30.5"
LONG SLEEVE LENGTH	22"	22.5"	22.5"	23"	23"	23.5"



BLACK  
OF 1312



BACK  
VIEW



LIGHT  
GREY  
OF 1311



LIGHT BLUE  
OF 1313



BLACK  
OF 1315

CORPORATE UNIFORM

# BELLINI SOFT OXFORD

SHORT SLEEVE /  
3/4 SLEEVE

**+** MATERIAL  
60% POLYESTER  
40% COTTON



**MALE**  
SIZES : S -3XL



ORANGE  
OF 1207



BACK  
VIEW

- (A) LIGHT GREY OF 1201
- (B) MEDIUM NAVY OF 1202
- (C) LIGHT BLUE OF 1203
- (D) LIGHT YELLOW OF 1205
- (E) LIGHT PURPLE OF 1206
- (F) MAGENTA OF 1208

MEN'S SHORT SLEEVE	S	M	L	XL	2XL	3XL
CHEST	40"	42"	44"	46"	48"	50"
SHOULDER	17"	18"	19"	20"	21"	22"
SHIRT LENGTH	28"	29"	30"	30.5"	31"	31"
SHORT SLEEVE LENGTH	10"	10"	10.5"	11"	11.5"	12"



NAVY  
OF 1220



BLACK  
OF 1226



RED  
OF 1228

CORPORATE UNIFORM  
**BELLINI SOFT OXFORD**

SHORT SLEEVE / 3/4 SLEEVE

**MATERIAL**  
60% POLYESTER  
40% COTTON



**MALE**  
SIZES : S -3XL



- (A) LIGHT GREY OF 1201
- (B) MEDIUM NAVY OF 1202
- (C) LIGHT BLUE OF 1203
- (D) LIGHT YELLOW OF 1205
- (E) LIGHT PURPLE OF 1206
- (F) MAGENTA OF 1208

MEN'S SHORT SLEEVE	S	M	L	XL	2XL	3XL
CHEST	40"	42"	44"	46"	48"	50"
SHOULDER	17"	18"	19"	20"	21"	22"
SHIRT LENGTH	28"	29"	30"	30.5"	31"	31"
SHORT SLEEVE LENGTH	10"	10"	10.5"	11"	11.5"	12"



**FEMALE**  
SIZES : S -3XL



- (A) LIGHT GREY OF 1301
- (B) MEDIUM NAVY OF 1302
- (C) LIGHT BLUE OF 1303
- (D) LIGHT YELLOW OF 1305
- (E) LIGHT PURPLE OF 1306
- (F) MAGENTA OF 1308

WOMEN'S 3/4 SLEEVE	S	M	L	XL	2XL	3XL
CHEST	38"	40"	42"	44"	46"	48"
SHOULDER	14.5"	15"	15.5"	16"	16.5"	17"
SHIRT LENGTH	28"	28.5"	29"	29.5"	30"	30.5"
3/4 SLEEVE LENGTH	13"	14"	14"	14.5"	15"	15"



**4zone®**

**NEW**  
*Design*





CORPORATE UNIFORM

# SOFT COMB COTTON

SHORT SLEEVE / LONG SLEEVE

- ➕ MATERIAL  
65% POLYESTER  
35% COTTON



## MALE

SIZES : S -3XL



LIGHT BLUE / WHITE  
FC 4401



NAVY / WHITE  
FC 4402

RED / WHITE  
FC 4403

BLACK / WHITE  
FC 4404

MEN'S SHORT SLEEVE	S	M	L	XL	2XL	3XL
CHEST	40"	42"	44"	46"	48"	50"
SHOULDER	17"	18"	19"	20"	21"	22"
SHIRT LENGTH	28"	29"	30"	30.5"	31"	31"
SHORT SLEEVE LENGTH	10"	10"	10.5"	11"	11.5"	12"

## FEMALE

SIZES : S -3XL



RED / WHITE  
FC 4503



NAVY / WHITE  
FC 4502

LIGHT BLUE / WHITE  
FC 4501

BLACK / WHITE  
FC 4504

WOMEN'S LONG SLEEVE	S	M	L	XL	2XL	3XL
CHEST	38"	40"	42"	44"	46"	48"
SHOULDER	14.5"	15"	15.5"	16"	16.5"	17"
SHIRT LENGTH	28"	28.5"	29"	29.5"	30"	30.5"
LONG SLEEVE LENGTH	22"	22.5"	22.5"	23"	23"	23.5"



**MALE**  
SIZES : S -3XL



LIGHT BLUE / NAVY  
FC 4601

CORPORATE UNIFORM  
**SOFT COMB COTTON**

SHORT SLEEVE / 3/4 SLEEVE

+ MATERIAL  
65% POLYESTER  
35% COTTON



**FEMALE**  
SIZES : S -3XL



ROYAL BLUE / WHITE  
FC 4602

NAVY / WHITE  
FC 4603

BLACK / ORANGE  
FC 4604



LIGHT BLUE / NAVY  
FC 4701

ROYAL BLUE / WHITE  
FC 4702

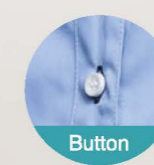
NAVY / WHITE  
FC 4703

BLACK / ORANGE  
FC 4704

MEN'S SHORT SLEEVE	S	M	L	XL	2XL	3XL
CHEST	40"	42"	44"	46"	48"	50"
SHOULDER	17"	18"	19"	20"	21"	22"
SHIRT LENGTH	28"	29"	30"	30.5"	31"	31"
SHORT SLEEVE LENGTH	10"	10"	10.5"	11"	11.5"	12"



WOMEN'S 3/4 SLEEVE	S	M	L	XL	2XL	3XL
CHEST	38"	40"	42"	44"	46"	48"
SHOULDER	14.5"	15"	15.5"	16"	16.5"	17"
SHIRT LENGTH	28"	28.5"	29"	29.5"	30"	30.5"
3/4 SLEEVE LENGTH	13"	14"	14"	14.5"	15"	15"



CORPORATE UNIFORM

# SOFT COMB COTTON

SHORT SLEEVE / 3/4 SLEEVE

**+** MATERIAL  
65% POLYESTER  
35% COTTON



## MALE

SIZES : S -3XL



LIGHT BLUE / NAVY  
FC 4201



BACK VIEW



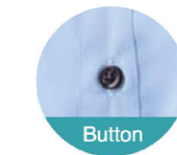
NAVY / LIGHT BLUE  
FC 4203



RED / BLACK  
FC 4202



Pocket



Button

MEN'S SHORT SLEEVE	S	M	L	XL	2XL	3XL
CHEST	40"	42"	44"	46"	48"	50"
SHOULDER	17"	18"	19"	20"	21"	22"
SHIRT LENGTH	28"	29"	30"	30.5"	31"	31"
SHORT SLEEVE LENGTH	10"	10"	10.5"	11"	11.5"	12"

## FEMALE

SIZES : S -3XL



RED / BLACK  
FC 4302



BACK VIEW



NAVY / LIGHT BLUE  
FC 4303



LIGHT BLUE / NAVY  
FC 4301



Button

WOMEN'S 3/4 SLEEVE	S	M	L	XL	2XL	3XL
CHEST	38"	40"	42"	44"	46"	48"
SHOULDER	14.5"	15"	15.5"	16"	16.5"	17"
SHIRT LENGTH	28"	28.5"	29"	29.5"	30"	30.5"
3/4 SLEEVE LENGTH	13"	14"	14"	14.5"	15"	15"

CORPORATE UNIFORM  
**SOFT COMB  
 COTTON**

SHORT SLEEVE / 3/4 SLEEVE

**+ MATERIAL**  
 65% POLYESTER  
 35% COTTON



**MALE**  
 SIZES : S -3XL



MEN'S SHORT SLEEVE	S	M	L	XL	2XL	3XL
CHEST	40"	42"	44"	46"	48"	50"
SHOULDER	17"	18"	19"	20"	21"	22"
SHIRT LENGTH	28"	29"	30"	30.5"	31"	31"
SHORT SLEEVE LENGTH	10"	10"	10.5"	11"	11.5"	12"

**FEMALE**  
 SIZES : S -3XL



WOMEN'S 3/4 SLEEVE	S	M	L	XL	2XL	3XL
CHEST	38"	40"	42"	44"	46"	48"
SHOULDER	14.5"	15"	15.5"	16"	16.5"	17"
SHIRT LENGTH	28"	28.5"	29"	29.5"	30"	30.5"
3/4 SLEEVE LENGTH	13"	14"	14"	14.5"	15"	15"



CORPORATE UNIFORM  
**SOFT COMB COTTON**

SHORT SLEEVE / 3/4 SLEEVE

**+ MATERIAL**  
65% POLYESTER  
35% COTTON

**MALE**  
SIZES : S -3XL



BACK VIEW

RED / NAVY / WHITE  
FC 3802



ROYAL  
BLUE /  
WHITE /  
BLACK  
FC 3801



LIGHT  
BLUE /  
BLACK /  
WHITE  
FC 3803



MEDIUM  
PURPLE /  
DARK  
PURPLE /  
WHITE  
FC 3805



Bottom

MEN'S SHORT SLEEVE	S	M	L	XL	2XL	3XL
CHEST	40"	42"	44"	46"	48"	50"
SHOULDER	17"	18"	19"	20"	21"	22"
SHIRT LENGTH	28"	29"	30"	30.5"	31"	31"
SHORT SLEEVE LENGTH	10"	10"	10.5"	11"	11.5"	12"

**FEMALE**  
SIZES : S -3XL



BACK VIEW

RED / NAVY / WHITE  
FC 3902



ROYAL  
BLUE /  
WHITE /  
BLACK  
FC 3901



LIGHT  
BLUE /  
BLACK /  
WHITE  
FC 3903



MEDIUM  
PURPLE /  
DARK  
PURPLE /  
WHITE  
FC 3905



Bottom

WOMEN'S 3/4 SLEEVE	S	M	L	XL	2XL	3XL
CHEST	38"	40"	42"	44"	46"	48"
SHOULDER	14.5"	15"	15.5"	16"	16.5"	17"
SHIRT LENGTH	28"	28.5"	29"	29.5"	30"	30.5"
3/4 SLEEVE LENGTH	13"	14"	14"	14.5"	15"	15"

CORPORATE UNIFORM  
**SOFT COMB  
 COTTON**

SHORT SLEEVE / 3/4 SLEEVE

**+** MATERIAL  
 65% POLYESTER  
 35% COTTON



**FEMALE**

SIZES : S -3XL



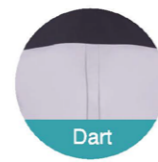
LIGHT GREY/  
 RED / NAVY  
 FC 3702



BACK VIEW

**MALE**

SIZES : S -3XL



MEN'S SHORT SLEEVE	S	M	L	XL	2XL	3XL
CHEST	40"	42"	44"	46"	48"	50"
SHOULDER	17"	18"	19"	20"	21"	22"
SHIRT LENGTH	28"	29"	30"	30.5"	31"	31"
SHORT SLEEVE LENGTH	10"	10"	10.5"	11"	11.5"	12"



BACK VIEW

LIGHT GREY/  
 RED / NAVY  
 FC 3602



WHITE /  
 MEDIUM BLUE /  
 BLACK  
 FC 3601



CREAM /  
 PEACH /  
 ROYAL BLUE  
 FC 3603



LIGHT PURPLE /  
 MEDIUM PURPLE /  
 DARK PURPLE  
 FC 3605



WHITE /  
 MEDIUM BLUE /  
 BLACK  
 FC 3701



CREAM /  
 PEACH /  
 ROYAL BLUE  
 FC 3703



LIGHT PURPLE /  
 MEDIUM PURPLE /  
 DARK PURPLE  
 FC 3705



WOMEN'S 3/4 SLEEVE	S	M	L	XL	2XL	3XL
CHEST	38"	40"	42"	44"	46"	48"
SHOULDER	14.5"	15"	15.5"	16"	16.5"	17"
SHIRT LENGTH	28"	28.5"	29"	29.5"	30"	30.5"
3/4 SLEEVE LENGTH	13"	14"	14"	14.5"	15"	15"



## MALE

SIZES : S -3XL

## FEMALE

SIZES : S -3XL

CORPORATE UNIFORM

# SOFT COMB COTTON

SHORT SLEEVE / 3/4 SLEEVE

**+** MATERIAL  
65% POLYESTER  
35% COTTON



NAVY / ROYAL BLUE / KHAKI  
FC 3403  
BACK VIEW



BLACK / CYAN / KHAKI  
FC 3501

RED / NAVY / KHAKI  
FC 3502

NAVY / ROYAL BLUE / KHAKI  
FC 3503



BLACK / CYAN / KHAKI  
FC 3401

RED / NAVY / KHAKI  
FC 3402

GREY / ORANGE / KHAKI  
FC 3405



GREY / ORANGE / KHAKI  
FC 3505  
BACK VIEW



MEN'S SHORT SLEEVE	S	M	L	XL	2XL	3XL
CHEST	40"	42"	44"	46"	48"	50"
SHOULDER	17"	18"	19"	20"	21"	22"
SHIRT LENGTH	28"	29"	30"	30.5"	31"	31"
SHORT SLEEVE LENGTH	10"	10"	10.5"	11"	11.5"	12"



WOMEN'S 3/4 SLEEVE	S	M	L	XL	2XL	3XL
CHEST	38"	40"	42"	44"	46"	48"
SHOULDER	14.5"	15"	15.5"	16"	16.5"	17"
SHIRT LENGTH	28"	28.5"	29"	29.5"	30"	30.5"
3/4 SLEEVE LENGTH	13"	14"	14"	14.5"	15"	15"



# MALE

SIZES : S -3XL

CORPORATE UNIFORM

# SOFT COMB COTTON

SHORT SLEEVE / 3/4 SLEEVE

**+** MATERIAL  
65% POLYESTER  
35% COTTON



# FEMALE

SIZES : S -3XL

WOMEN'S 3/4 SLEEVE	S	M	L	XL	2XL	3XL
CHEST	38"	40"	42"	44"	46"	48"
SHOULDER	14.5"	15"	15.5"	16"	16.5"	17"
SHIRT LENGTH	28"	28.5"	29"	29.5"	30"	30.5"
3/4 SLEEVE LENGTH	13"	14"	14"	14.5"	15"	15"



MEN'S SHORT SLEEVE	S	M	L	XL	2XL	3XL
CHEST	40"	42"	44"	46"	48"	50"
SHOULDER	17"	18"	19"	20"	21"	22"
SHIRT LENGTH	28"	29"	30"	30.5"	31"	31"
SHORT SLEEVE LENGTH	10"	10"	10.5"	11"	11.5"	12"



BACK VIEW

LIGHT BLUE / NAVY / WHITE  
FC 2801



RED / BLACK / WHITE  
FC 2802



NAVY / GREY / WHITE  
FC 2803



DARK PURPLE / LIGHT PURPLE / WHITE  
FC 2805



BACK VIEW

DARK PURPLE / LIGHT PURPLE / WHITE  
FC 2705



LIGHT BLUE / NAVY / WHITE  
FC 2701



RED / BLACK / WHITE  
FC 2702



NAVY / GREY / WHITE  
FC 2703



CORPORATE UNIFORM  
**POLYSOFT**  
 SHORT SLEEVE / LONG SLEEVE

**+ MATERIAL**  
 100% POLYESTER

**MALE**  
 SIZES : S -3XL

MEN'S SHORT SLEEVE	S	M	L	XL	2XL	3XL
CHEST	40"	42"	44"	46"	48"	50"
SHOULDER	17"	18"	19"	20"	21"	22"
SHIRT LENGTH	28"	29"	30"	30.5"	31"	31"
SHORT SLEEVE LENGTH	10"	10"	10.5"	11"	11.5"	12"



**FEMALE**  
 SIZES : S -3XL



NAVY / WHITE  
 PS 4003



BACK VIEW

WOMEN'S LONG SLEEVE	S	M	L	XL	2XL	3XL
CHEST	38"	40"	42"	44"	46"	48"
SHOULDER	14.5"	15"	15.5"	16"	16.5"	17"
SHIRT LENGTH	28"	28.5"	29"	29.5"	30"	30.5"
LONG SLEEVE LENGTH	22"	22.5"	22.5"	23"	23"	23.5"



BACK VIEW

M GREEN / WHITE  
 PS 3004



SEA BLUE / WHITE  
 PS 3001



RED / WHITE  
 PS 3002



NAVY / WHITE  
 PS 3003



SEA BLUE / WHITE  
 PS 4001



RED / WHITE  
 PS 4002



M GREEN / WHITE  
 PS 4004



CORPORATE UNIFORM

# POLYSOFT

SHORT SLEEVE / LONG SLEEVE

**+** MATERIAL  
100% POLYESTER

## MALE

SIZES : S -3XL



BACK VIEW

RED / WHITE  
PS 1002



SILK BLUE / NAVY  
PS 1001

SEA BLUE / RED  
PS 1003

M GREEN / WHITE  
PS 1004



MEN'S SHORT SLEEVE	S	M	L	XL	2XL	3XL
CHEST	40"	42"	44"	46"	48"	50"
SHOULDER	17"	18"	19"	20"	21"	22"
SHIRT LENGTH	28"	29"	30"	30.5"	31"	31"
SHORT SLEEVE LENGTH	10"	10"	10.5"	11"	11.5"	12"

## FEMALE

SIZES : S -3XL



BACK VIEW

M GREEN / WHITE  
PS 2004



SILK BLUE / NAVY  
PS 2001

RED / WHITE  
PS 2002

SEA BLUE / RED  
PS 2003



WOMEN'S LONG SLEEVE	S	M	L	XL	2XL	3XL
CHEST	38"	40"	42"	44"	46"	48"
SHOULDER	14.5"	15"	15.5"	16"	16.5"	17"
SHIRT LENGTH	28"	28.5"	29"	29.5"	30"	30.5"
LONG SLEEVE LENGTH	22"	22.5"	22.5"	23"	23"	23.5"



CORPORATE UNIFORM  
**SILKA  
 COTTON**

SHORT SLEEVE /  
 MUSLIMAH LONG SLEEVE

**+ MATERIAL**  
 80% RAYON SILK  
 20% COTTON



**MALE** (SIZES : S -3XL)

MEN'S SHORT SLEEVE	S	M	L	XL	2XL	3XL
CHEST	40"	42"	44"	46"	48"	50"
SHOULDER	17"	18"	19"	20"	21"	22"
SHIRT LENGTH	28"	29"	30"	30.5"	31"	31"
SHORT SLEEVE LENGTH	10"	10"	10.5"	11"	11.5"	12"



NEVY /  
 GREY  
 SC 0105



BACK  
 VIEW



ROYAL BLUE /  
 WHITE  
 SC 0101



RED /  
 WHITE  
 SC 0102



LIGHT BLUE /  
 NAVY  
 SC 0103



LIGHT PURPLE /  
 DARK PURPLE  
 SC 0104

**FEMALE** (SIZES : S -3XL)

WOMEN'S LONG SLEEVE	S	M	L	XL	2XL	3XL
CHEST	38"	40"	42"	44"	46"	48"
SHOULDER	14.5"	15"	15.5"	16"	16.5"	17"
WAIST	33"	35"	37"	39"	41"	43"
HIP	40"	42"	44"	46"	48"	50"
SHIRT LENGTH	32"	33"	34"	35"	36"	36.5"
LONG SLEEVE LENGTH	22"	22.5"	22.5"	23"	23"	23.5"



NEVY /  
 GREY  
 SC 0205



BACK  
 VIEW



ROYAL  
 BLUE /  
 WHITE  
 SC 0201



RED /  
 WHITE  
 SC 0202



LIGHT  
 BLUE /  
 NAVY  
 SC 0203



LIGHT  
 PURPLE /  
 DARK  
 PURPLE  
 SC 0204

**4zone**<sup>®</sup>





CORPORATE UNIFORM  
**MICRO COTTON RAYON**

SHORT SLEEVE / 3/4 SLEEVE

- + MATERIAL**
- 70% MICRO FIBER
- 15% COTTON
- 15% RAYON

MEN'S SHORT SLEEVE	S	M	L	XL	2XL	3XL
CHEST	40"	42"	44"	46"	48"	50"
SHOULDER	17"	18"	19"	20"	21"	22"
SHIRT LENGTH	28"	29"	30"	30.5"	31"	31"
SHORT SLEEVE LENGTH	10"	10"	10.5"	11"	11.5"	12"



**FEMALE**  
SIZES : S -3XL

WOMEN'S 3/4 SLEEVE	S	M	L	XL	2XL	3XL
CHEST	38"	40"	42"	44"	46"	48"
SHOULDER	14.5"	15"	15.5"	16"	16.5"	17"
SHIRT LENGTH	28"	28.5"	29"	29.5"	30"	30.5"
3/4 SLEEVE LENGTH	13"	14"	14"	14.5"	15"	15"



**MALE**  
SIZES : S -3XL



IRIS PURPLE /  
DARK PURPLE /  
LIGHT PURPLE /  
MY 1017

BACK VIEW

RED / BLACK  
LIGHT GREY  
MY 1011

DARK PURPLE /  
MEDIUM BLUE /  
WHITE  
MY 1013

ROYAL BLUE /  
SKY BLUE /  
CREAM  
MY 1015



RED / BLACK  
LIGHT GREY  
MY 1012

DARK PURPLE /  
MEDIUM BLUE /  
WHITE  
MY 1014

ROYAL BLUE /  
SKY BLUE /  
CREAM  
MY 1016

IRIS PURPLE /  
DARK PURPLE /  
LIGHT PURPLE /  
MY 1018

BACK VIEW

CORPORATE UNIFORM

# MICRO COTTON RAYON

LONG SLEEVE

- + MATERIAL**
- 70% MICRO FIBER
- 15% COTTON
- 15% RAYON



## MALE

SIZES : S -3XL



MEDIUM BLUE  
MY 0011



BACK VIEW



ROYAL BLUE  
MY 0013



IRIS PURPLE  
MY 0015



OLIVE GREEN  
MY 0017

MEN'S LONG SLEEVE	S	M	L	XL	2XL	3XL
CHEST	40"	42"	44"	46"	48"	50"
SHOULDER	17"	18"	19"	20"	21"	22"
SHIRT LENGTH	28"	29"	30"	30.5"	31"	31"
LONG SLEEVE LENGTH	23"	23.5"	24"	24.5"	25"	25.5"

## FEMALE

SIZES : S -3XL



OLIVE GREEN  
MY 0018



BACK VIEW



MEDIUM BLUE  
MY 0012



ROYAL BLUE  
MY 0014



IRIS PURPLE  
MY 0016

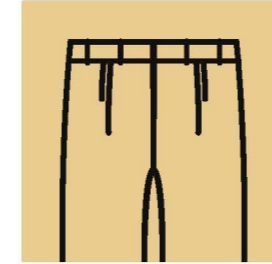
WOMEN'S LONG SLEEVE	S	M	L	XL	2XL	3XL
CHEST	38"	40"	42"	44"	46"	48"
SHOULDER	14.5"	15"	15.5"	16"	16.5"	17"
SHIRT LENGTH	28"	28.5"	29"	29.5"	30"	30.5"
LONG SLEEVE LENGTH	22"	22.5"	22.5"	23"	23"	23.5"



CORPORATE UNIFORM  
**TROUSER**

# LONG TROUSER DOUBLE PLEAT MALE

DOUBLE PLEAT  
SIZES : 29" - 48"



WAIST	29"- 36"	37"- 44"	45"- 48"
LENGTH	45"	46"	47"

+ MATERIAL  
POLYSOFT



BLACK TPS1      BACK VIEW

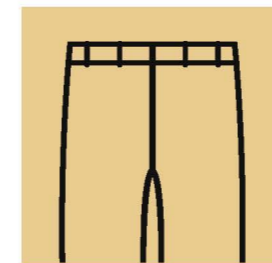
+ MATERIAL  
TETORON RAYON



BLACK TTR1      BACK VIEW

# FLAT FRONT MALE

FLAT FRONT  
SIZES : 29" - 44"



WAIST	29"	30"- 34"	35"- 44"
LENGTH	44"	44.5"	45"

+ MATERIAL  
POLYSOFT



BLACK TPS2      BACK VIEW

+ MATERIAL  
TETORON RAYON



BLACK TTR2      BACK VIEW

4zone®



CORPORATE UNIFORM

# APRON DENIM FULL

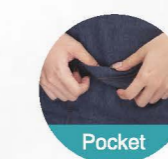
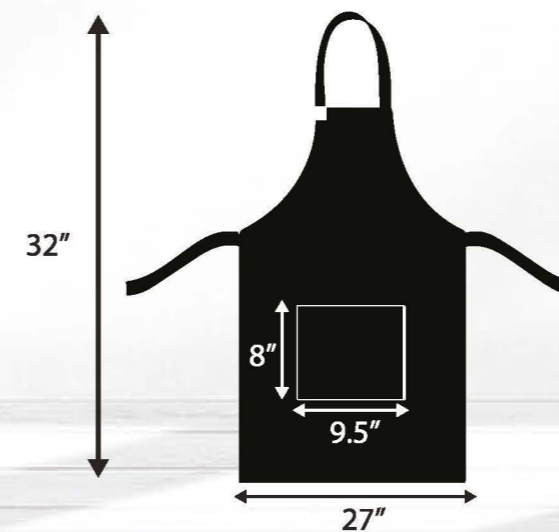
+ MATERIAL COTTON



NAVY DENIM  
ADP01



BLACK DENIM  
ADP02



CORPORATE UNIFORM

# APRON HALF / FULL

⊕ MATERIAL 100% POLYESTER



FULL  
APRON

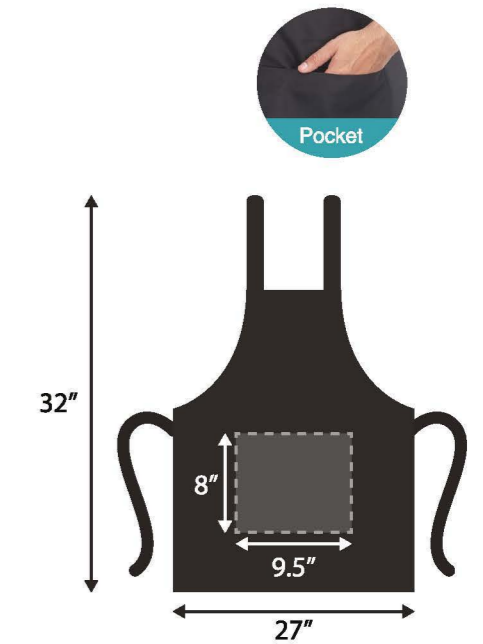
HALF  
APRON



FULL APRON  
BLACK  
AP01



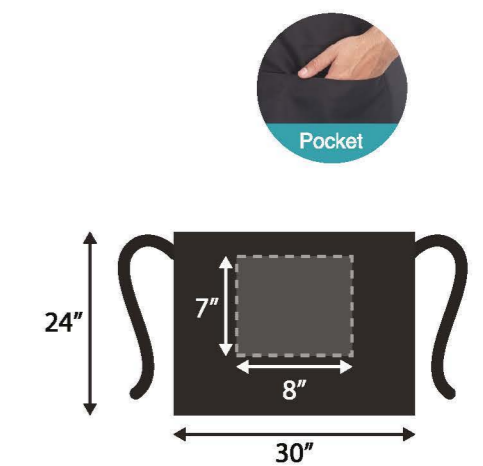
BACK  
VIEW



HALF APRON  
BLACK  
AHP 01



BACK  
VIEW



**UNISEX**

SIZES : M -2XL



UNISEX MODERN FT	M	L	XL	2XL
A SHOULDER	18"	19"	20"	20.5"
B CHEST	42"	44"	46"	48"
C BODY LENGTH	27"	28"	29"	30"
D SLEEVE LENGTH	24"	24"	24.5"	25"

CORPORATE UNIFORM  
**INDUSTRIAL JACKET**

**+ MATERIAL**  
100% COTTON



RED  
JK 5202



BACK  
VIEW



NAVY BLUE  
JK 5200



ORANGE  
JK 5203



ROYAL BLUE  
JK 5206



GREY  
JK 5207



KHAKI  
JK 5208

# CORPORATE UNIFORM CLEARANCE STOCKS

LIMITED SIZES AND QUANTITY AVAILABLE

## DENIM SHIRT LONG SLEEVE

➕ MATERIAL 100% COTTON (SIZES : S -3XL)



MALE

NAVY / LIGHT BLUE / JL 07



FEMALE

NAVY / LIGHT BLUE / JL 08

## TRADITIONAL MALAY SET SOLUNA MALE

➕ MATERIAL 100% POLYESTER



BLACK / BM01

ROYAL BLUE / BM02

RED / BM03

MEDIUM PURPLE / BM05

## SOFT COMB COTTON MUSLIMAH SERIES LONG SLEEVE

➕ MATERIAL 65% POLYESTER / 35% COTTON

FEMALE (SIZES : S -3XL)



ROYAL BLUE / WHITE / MU 01



RED / BLACK / MU 02



MEDIUM PURPLE / DARK PURPLE / MU 03

## POLYSOFT MUSLIMAH SERIES LONG SLEEVE

➕ MATERIAL 100% POLYESTER

FEMALE (SIZES : S -3XL)



SEA BLUE / WHITE / RED / PMU 01



RED / WHITE / PMU 02



SILK BLUE / NAVY / PMU 03

## SOFT COMB COTTON SHORT SLEEVE / 3/4 SLEEVE

➕ MATERIAL 65% POLYESTER / 35% COTTON

MALE (SIZES : S -3XL)



ROYAL BLUE / WHITE / FC 2010



RED / WHITE / FC 2012



ORANGE / BLACK / FC 2016



NAVY / APPLE GREEN / FC 2018

## 3/4 SLEEVE

FEMALE (SIZES : S -3XL)



ROYAL BLUE / WHITE / FC 2011



RED / WHITE / FC 2013



ORANGE / BLACK / FC 2015



NAVY / APPLE GREEN / FC 2017

## "TORAY" DOUBLE YARN VISCOSE SHORT SLEEVE

➕ MATERIAL 65% POLYESTER / 35% COTTON

MALE (SIZES : S -3XL)



ROYAL BLUE / WHITE / FV 3201



RED / WHITE / FV 3202



ORANGE / WHITE / FV 3203



BLACK / WHITE / FV 3205

## 3/4 SLEEVE

FEMALE (SIZES : S -3XL)



ROYAL BLUE / WHITE / FV 3301



RED / WHITE / FV 3302



ORANGE / WHITE / FV 3303



BLACK / WHITE / FV 3305

## SOFT COMB COTTON SHORT SLEEVE

➕ MATERIAL 65% POLYESTER / 35% COTTON

MALE (SIZES : S -3XL)



ROYAL BLUE / WHITE / FC 2001



RED / WHITE / FC 2002



ORANGE / BLACK / FC 2003



BLACK / RED / FC 2005

## 3/4 SLEEVE

FEMALE (SIZES : S -3XL)



ROYAL BLUE / WHITE / FC 2101



RED / WHITE / FC 2102



ORANGE / BLACK / FC 2103



BLACK / RED / FC 2105

## SOFT COMB COTTON SHORT SLEEVE

➕ MATERIAL 65% POLYESTER / 35% COTTON

MALE (SIZES : S -3XL)



ROYAL BLUE / WHITE / FC 2201



RED / WHITE / FC 2202



ORANGE / BLACK / FC 2203



BLACK / RED / FC 2205

## 3/4 SLEEVE

FEMALE (SIZES : S -3XL)



ROYAL BLUE / WHITE / FC 2301



RED / WHITE / FC 2302



ORANGE / BLACK / FC 2303



BLACK / RED / FC 2305

## POLYSOFT SHORT SLEEVE

➕ MATERIAL 100% POLYESTER

MALE (SIZES : S -3XL)



RED / NAVY / WHITE / S 001



WHITE / YELLOW / BLACK / S 002



WHITE / BLACK / S 003



RED / WHITE / S 005

## BELLINI SOFT OXFORD SHORT SLEEVE

➕ MATERIAL 60% POLYESTER / 40% COTTON

MALE (SIZES : S -3XL)



GREY BLUE / OF 1222



VIOLET PURPLE / OF 1223



SAPPHIRE GREEN / OF 1225



OLIVE GREEN / OF 1227

## 3/4 SLEEVE

FEMALE (SIZES : S -3XL)



GREY BLUE / OF 1322



VIOLET PURPLE / OF 1323



SAPPHIRE GREEN / OF 1325



OLIVE GREEN / OF 1327

## TORAY DOUBLE YARN VISCOSE SHORT SLEEVE

➕ MATERIAL 65% POLYESTER / 35% COTTON

MALE (SIZES : S -3XL)



WHITE / ORANGE / FC 3001



WHITE / RED / FC 3002



WHITE / ROYAL BLUE / FC 3003



WHITE / GREEN / FC 3005

## TORAY DOUBLE YARN VISCOSE 3/4 SLEEVE

➕ MATERIAL 65% POLYESTER / 35% COTTON

FEMALE (SIZES : S -3XL)



WHITE / ORANGE / FC 3101



WHITE / RED / FC 3102



WHITE / ROYAL BLUE / FC 3103



WHITE / GREEN / FC 3105

## WE ACCEPT CUSTOM MADE ORDERS

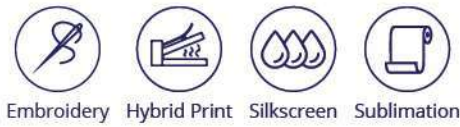
UZONE produces mainly shirt uniforms, both 'Standard' and 'tailor-made'. As for tailor-made uniforms, we discuss designs and cuttings with each customer, and provide various sizes for them to choose from, with the objective of creating the most suitable pattern that reflects their corporate and brand images. In a nutshell, we create the most dazzling brand image through the professional projection of a uniform.



Due to printing conditions, colours may differ 5-10% from actual product. All measurement are subjected to be different 0.5 inch from the actual product. Size may different from the same products series.



- Anti-Bacterial
- Nylon Chinlon, Polyester
- Compact, Lightweight, Quick-Dry
- Open For Customization Of Logo Webbing



USTW05  
MAROON



# ANTI-BACTERIAL QUICK-DRY TOWEL

## UBTW BATH TOWEL

Length	Width	Weight
55.1"/140cm	29.5"/75cm	220g

Note : Size may varies +/-5% from the above mentioned chart.



UBTW01  
PEARL WHITE



UBTW03  
NAVY



UBTW05  
MAROON



UBTW06  
LIGHT GREY



UBTW11  
ADMIRAL BLUE



UBTW46  
KELLY GREEN



UBTW10  
LIGHT BLUE  
**NEW**



UBTW23  
PURPLE  
**NEW**



UBTW28  
LIGHT PINK  
**NEW**

## USTW SPORTS TOWEL

Length	Width	Weight
25.6"/65cm	13.8"/35cm	40g

Note : Size may varies +/-5% from the above mentioned chart.



USTW01  
PEARL WHITE



USTW03  
NAVY



USTW05  
MAROON



USTW06  
LIGHT GREY



USTW11  
ADMIRAL BLUE



USTW46  
KELLY GREEN



USTW10  
LIGHT BLUE  
**NEW**



USTW23  
PURPLE  
**NEW**



USTW28  
LIGHT PINK  
**NEW**

# UZONE ULTIFRESH PERFORMANCE

Ultifresh makes you feel comfortable the way it is meant to be. #feelgood



SGS Intertek  
TEST REPORT Total Quality Assured.

UDF2202  
Black

ULTIFRESH  
anti-bacterial & anti-odor



Anti Bacterial & Anti-Odor Finishing

Self Fabric Collar



## UDF22 CREW NECK T-SHIRT (KIDS)

Size	Shoulder	Chest	Sleeve	Length
24	11.5"	25"	4.5"	15.5"
26	12"	27"	5"	17"
28	12.5"	29"	5.5"	18.5"
30	13"	31"	6"	20"
32	13.5"	33"	6.5"	21.5"

Note : Size may varies +/-5% from the above mentioned chart.

- 100% Performance Dri-Fit Polyester
- Microfiber Polyester Eyelet Weave

- 170gsm | 5.01oz (UDF2201)
- 160gsm | 4.72oz (THE REST)

### COLORS SELECTION



UDF2201  
PEARL WHITE



UDF2202  
ONYX BLACK



UDF2203  
NAVY BLUE



UDF2204  
CRIMSON RED



UDF2210  
LIGHT BLUE



UDF2212  
ROYAL BLUE



UDF2213  
ORANGE



UDF2216  
BANANA



UDF2221  
BASIL GREEN



UDF2223  
ROYAL PURPLE



UDF0126  
TIFFANY BLUE



# UZONE ULTIFRESH PERFORMANCE

## UDF01

### CREW NECK T-SHIRT (UNISEX)

- 100% Performance Dri-Fit Polyester
- Microfiber Polyester Eyelet Weave
- Anti Bacterial & Anti Odor Finishing
- Self Fabric Collar
- Eco Friendly & Water Saving

- 170gsm | 5.01oz (UDF0101)
- 160gsm | 4.72oz (THE REST)

Size	Shoulder	Chest	Sleeve	Length
2XS	15"	34"	7"	25"
XS	16"	36"	7.5"	26"
S	17"	38"	8"	27"
M	18"	40"	8.5"	28"
L	19"	42"	9"	29"
XL	20"	44"	9.5"	30"
2XL	21"	46"	10"	31"
3XL	22"	48"	10.5"	32"
5XL	24"	52"	11.5"	33.5"
7XL	26"	56"	12"	36"

Note : Size may varies +/-5% from the above mentioned chart.

### COLORS SELECTION





**UDF0509  
MAGENTA PINK**

**UDF0521  
BASIL GREEN**

# UZONE ULTIFRESH PERFORMANCE

## UDF05

### POLO T-SHIRT (UNISEX)

- 100% Performance Dri-Fit Polyester
- Microfiber Polyester Eyelet Weave
- Anti Bacterial & Anti Odor Finishing
- Matching Collar Rib
- Eco Friendly & Water Saving

- 170gsm | 5.01oz (UDF0501)
- 160gsm | 4.72oz (THE REST)

Size	Shoulder	Chest	Sleeve	Length
2XS	15"	34"	7"	25"
XS	16"	36"	7.5"	26"
S	17"	38"	8"	27"
M	18"	40"	8.5"	28"
L	19"	42"	9"	29"
XL	20"	44"	9.5"	30"
2XL	21"	46"	10"	31"
3XL	22"	48"	10.5"	32"
5XL	24"	52"	11.5"	33.5"
7XL	26"	56"	12"	36"

Note : Size may varies +/-5% from the above mentioned chart.

### COLORS SELECTION





# UZONE ULTIFRESH PERFORMANCE

## UDF26 CREW NECK LONG SLEEVE T-SHIRT (UNISEX)

Size	Shoulder	Chest	Sleeve	Length
2XS	15"	34"	19"	25"
XS	16"	36"	20"	26"
S	17"	38"	21"	27"
M	18"	40"	22"	28"
L	19"	42"	23"	29"
XL	20"	44"	23.5"	30"
2XL	21"	46"	23.5"	31"
3XL	22"	48"	23.5"	32"
5XL	24"	52"	24.5"	33.5"

Note : Size may varies +/-5% from the above mentioned chart.

- 100% Performance Dri-Fit Polyester
- Microfiber Polyester Eyelet Weave
- Eco Friendly & Water Saving

- 170gsm | 5.01oz (UDF2601)
- 160gsm | 4.72oz (THE REST)

### COLORS SELECTION



UDF2601  
PEARL WHITE



UDF2602  
ONYX BLACK



UDF2603  
NAVY BLUE



UDF2604  
CRIMSON RED



UDF2607  
IRON GREY



UDF2610  
LIGHT BLUE



UDF2612  
ROYAL BLUE



UDF2613  
ORANGE



UDF2621  
BASIL GREEN



# UZONE ULTIFRESH PERFORMANCE

## UDF27 POLO LONG SLEEVE T-SHIRT (UNISEX)

Size	Shoulder	Chest	Sleeve	Length
2XS	15"	34"	19"	25"
XS	16"	36"	20"	26"
S	17"	38"	21"	27"
M	18"	40"	22"	28"
L	19"	42"	23"	29"
XL	20"	44"	23.5"	30"
2XL	21"	46"	23.5"	31"
3XL	22"	48"	23.5"	32"
5XL	24"	52"	24.5"	33.5"

Note : Size may varies +/-5% from the above mentioned chart.

- 100% Performance Dri-Fit Polyester
- Microfiber Polyester Eyelet Weave
- Eco Friendly & Water Saving

- 170gsm | 5.01oz (UDF2701)
- 160gsm | 4.72oz (THE REST)

### COLORS SELECTION



UDF2701  
PEARL WHITE



UDF2702  
ONYX BLACK



UDF2703  
NAVY BLUE



UDF2705  
MAROON RED



UDF2707  
IRON GREY



UDF2710  
LIGHT BLUE



UDF2712  
ROYAL BLUE



UDF2713  
ORANGE



UDF2721  
BASIL GREEN



# UZONE ULTIFRESH PERFORMANCE

## UDF02

### SPORTS SINGLET (UNISEX)

- 100% Dri-Fit Polyester
- Interlock Weave
- Moisture Wicking & Sweat Absorbent
- Eco Friendly & Water Saving

• 160gsm | 4.72oz

Size	Shoulder	Chest	Length
2XS	15.5"	34"	25"
XS	16"	36"	26"
S	16.5"	38"	27"
M	17"	40"	28"
L	17.5"	42"	29"
XL	18"	44"	30"
2XL	18"	46"	31"
3XL	18.5"	48"	32"
5XL	19.5"	52"	33.5"

Note : Size may varies +/-5% from the above mentioned chart.

### COLORS SELECTION



UDF0201  
PEARL WHITE



UDF0202  
ONYX BLACK



UDF0203  
NAVY BLUE



UDF0204  
CRIMSON RED



UDF0205  
MAROON RED



UDF0207  
IRON GREY



UDF0212  
ROYAL BLUE



UDF0221  
BASIL GREEN



# UZONE ULTIFRESH PERFORMANCE

## UDF06 SPORTS SHORTS (UNISEX)

- 100% Dri-Fit Polyester
- Interlock Weave
- Moisture Wicking & Sweat Absorbent
- Eco Friendly & Water Saving
- 160gsm | 4.72oz

Size	Waist	Length
2XS	28"	14.5"
XS	29"	15"
S	31"	15.5"
M	32"	16"
L	34"	17"
XL	36"	17.5"
2XL	37"	18"
3XL	38"	19"
5XL	40"	19"

Note : Size may varies +/-5% from the above mentioned chart.

### COLORS SELECTION



UDF0601  
PEARL WHITE



UDF0602  
ONYX BLACK



UDF0603  
NAVY BLUE



**UDF07**  
**SIDE PANEL CREW NECK T-SHIRT (UNISEX)**

- 100% Dri-Fit Polyester
- Interlock Weave
- Moisture Wicking & Sweat Absorbent
- Eco Friendly & Water Saving

**UZONE ULTIFRESH**  
**CONTRAST**

Size	Shoulder	Chest	Sleeve	Length
2XS	15"	34"	7"	25"
XS	16"	36"	7.5"	26"
S	17"	38"	8"	27"
M	18"	40"	8.5"	28"
L	19"	42"	9"	29"
XL	20"	44"	9.5"	30"
2XL	21"	46"	10"	31"
3XL	22"	48"	10.5"	32"
5XL	24"	52"	11.5"	33.5"

Note : Size may varies +/-5% from the above mentioned chart.

• 160gsm | 4.72oz

**COLORS SELECTION**



UDF0701  
WHITE + ORANGE



UDF0702  
BLACK + WHITE



UDF0703  
NAVY + WHITE



UDF0710  
LIGHT BLUE + WHITE



UDF0723  
PURPLE + WHITE



UDF0733  
BLUE + ORANGE



Contrast Color Piping with Raglan Sleeve Cut

Anti Bacterial & Anti-Odor Finishing



**UDP08**  
**VOV PIPING CREW NECK T-SHIRT (UNISEX)**

- 100% Dri-Fit Polyester
- Eyelet Weave
- Moisture Wicking & Sweat Absorbent
- Eco Friendly & Water Saving

**UZONE ULTIFRESH**  
**CONTRAST**

Size	Chest	Sleeve	Length
2XS	34"	7"	25"
XS	36"	7.5"	26"
S	38"	8"	27"
M	40"	8.5"	28"
L	42"	9"	29"
XL	44"	9.5"	30"
2XL	46"	10"	31"
3XL	48"	10.5"	32"
5XL	52"	11.5"	33.5"

Note : Size may varies +/-5% from the above mentioned chart.

- 170gsm | 5.01oz (UDP0801)
- 160gsm | 4.72oz (THE REST)

**COLORS SELECTION**



UDP0801  
WHITE + BLACK



UDP0802  
BLACK + RED



UDP0807  
DARK GREY + WHITE



UDP0813  
ORANGE + BLACK



Anti Bacterial & Anti-Odor Finishing



### UDF13 CS SASH POLO T-SHIRT (UNISEX)

- 100% Dri-Fit Polyester
- Interlock Weave
- Moisture Wicking & Sweat Absorbent
- Eco Friendly & Water Saving

# UZONE ULTIFRESH CONTRAST

Size	Shoulder	Chest	Sleeve	Length
2XS	15"	34"	7"	25"
XS	16"	36"	7.5"	26"
S	17"	38"	8"	27"
M	18"	40"	8.5"	28"
L	19"	42"	9"	29"
XL	20"	44"	9.5"	30"
2XL	21"	46"	10"	31"
3XL	22"	48"	10.5"	32"
5XL	24"	52"	11.5"	33.5"

Note : Size may varies +/-5% from the above mentioned chart.

• 160gsm | 4.72oz

## COLORS SELECTION



UDF1301  
WHITE + GREEN  
+ DARK GREY



UDF1302  
BLACK + RED



UDF1306  
LIGHT GREY +WHITE  
+ BLUE



UDF1307  
DARK GREY +WHITE  
+ BLUE



Anti Bacterial  
& Anti-Odor  
Finishing

Contrast  
Shoulder Panel



### UDF19 T MAX POLO T-SHIRT (UNISEX)

- 100% Dri-Fit Polyester
- Interlock Weave
- Moisture Wicking & Sweat Absorbent
- Eco Friendly & Water Saving

# UZONE ULTIFRESH CONTRAST

Size	Shoulder	Chest	Sleeve	Length
2XS	15"	34"	7"	25"
XS	16"	36"	7.5"	26"
S	17"	38"	8"	27"
M	18"	40"	8.5"	28"
L	19"	42"	9"	29"
XL	20"	44"	9.5"	30"
2XL	21"	46"	10"	31"
3XL	22"	48"	10.5"	32"
5XL	24"	52"	11.5"	33.5"

Note : Size may varies +/-5% from the above mentioned chart.

• 160gsm | 4.72oz

## COLORS SELECTION



UDF1902  
BLACK + RED



UDF1906  
GREY + LIGHT BLUE



UDF1912  
ROYAL BLUE + GREY



UDF1930  
GREEN + WHITE



# UZONE ULTIFRESH ORIENTAL

## UDF20 ZIP UP COLLAR POLO T-SHIRT (UNISEX)

- 100% Dri-Fit Polyester
- Interlock Weave
- Contrast Piping
- Moisture Wicking & Sweat Absorbent
- Eco Friendly & Water Saving

Size	Shoulder	Chest	Sleeve	Length
2XS	15"	34"	7"	25"
XS	16"	36"	7.5"	26"
S	17"	38"	8"	27"
M	18"	40"	8.5"	28"
L	19"	42"	9"	29"
XL	20"	44"	9.5"	30"
2XL	21"	46"	10"	31"
3XL	22"	48"	10.5"	32"
5XL	24"	52"	11.5"	33.5"

Note : Size may varies +/-5% from the above mentioned chart.

• 160gsm | 4.72oz

### COLORS SELECTION



UDF2001  
WHITE + YELLOW



UDF2002  
BLACK + RED



UDF2003  
DARK BLUE + ROYAL BLUE



UDF2004  
RED + BLACK



UDF2010  
LIGHT BLUE + WHITE



UDF2013  
ORANGE + WHITE



UDF2027  
WHITE + RED





**UDF17**  
**EDGE CREW NECK**  
**T-SHIRT (UNISEX)**

- 47% Performance Polyester
- 47% Melange Dri-Fit +6% Spandex
- Moisture Wicking & Sweat Absorbent
- Eco Friendly & Water Saving

# UZONE ULTIFRESH HEATHER

Size	Shoulder	Chest	Sleeve	Length
2XS	15"	34"	7"	25"
XS	16"	36"	7.5"	26"
S	17"	38"	8"	27"
M	18"	40"	8.5"	28"
L	19"	42"	9"	29"
XL	20"	44"	9.5"	30"
2XL	21"	46"	10"	31"
3XL	22"	48"	10.5"	32"
5XL	24"	52"	11.5"	33.5"

Note : Size may varies +/-5% from the above mentioned chart.

• 170gsm | 5.01oz

## COLORS SELECTION



UDF1702  
ONYX BLACK



UDF1703  
NAVY BLUE



UDF1706  
LIGHT GREY



UDF1710  
LIGHT BLUE



UDF1712  
ROYAL BLUE



**GOLD**  
SERIES AVAILABLE

**Intertek**  
Total Quality. Assured.

**SGS**  
TEST REPORT



## UCP11 MINIMALIST POLO T-SHIRT (UNISEX)

- 50% Polyester + 50% Cotton
- Outer Polyester + Inner Cotton
- Moisture Wicking & Sweat Absorbent
- Eco Friendly & Water Saving

# UZONE ULTIFRESH HYBRID

Size	Shoulder	Chest	Sleeve	Length
2XS	15"	34"	7"	25"
XS	16"	36"	7.5"	26"
S	17"	38"	8"	27"
M	18"	40"	8.5"	28"
L	19"	42"	9"	29"
XL	20"	44"	9.5"	30"
2XL	21"	46"	10"	31"
3XL	22"	48"	10.5"	32"
5XL	24"	52"	11.5"	33.5"

Note : Size may varies +/-5% from the above mentioned chart.

• 180gsm | 5.31oz

### COLORS SELECTION



UCP1101  
WHITE + BLACK



UCP1102  
BLACK + WHITE



UCP1103  
NAVY + WHITE



UCP1105  
MAROON + BLACK



UCP1129  
BLACK + GOLD



**intertek**  
Total Quality. Assured.

**SGS**  
TEST REPORT

Anti Bacterial & Anti-Odor Finishing

Contrast Panels & Ribbed Collar



**UCP13**  
**CONTRA POLO T-SHIRT**  
**(UNISEX)**

- 50% Polyester + 50% Cotton
- Outer Polyester + Inner Cotton
- Moisture Wicking & Sweat Absorbent
- Eco Friendly & Water Saving

**UZONE ULTIFRESH**  
**HYBRID**

Size	Shoulder	Chest	Sleeve	Length
2XS	15"	34"	7"	25"
XS	16"	36"	7.5"	26"
S	17"	38"	8"	27"
M	18"	40"	8.5"	28"
L	19"	42"	9"	29"
XL	20"	44"	9.5"	30"
2XL	21"	46"	10"	31"
3XL	22"	48"	10.5"	32"
5XL	24"	52"	11.5"	33.5"

Note : Size may varies +/-5% from the above mentioned chart.

• 190gsm | 5.60oz

**COLORS SELECTION**



UCP1301  
WHITE + GREY



UCP1307  
GREY + RED



UCP1310  
LIGHT BLUE + WHITE



UCP1334  
WHITE + GREEN



UCP1335  
WHITE + LIGHT BLUE

# UZONE DOUBLE PIQUE



## UH27 PREMIUM PLAIN POLO T-SHIRT (UNISEX)

- 60% Polyester + 40% Cotton
- Moisture Wicking & Sweat Absorbent
- Eco Friendly & Water Saving
- 220gsm | 6.49oz



Size	Shoulder	Chest	Sleeve	Length
2XS	15"	34"	7"	25"
XS	16"	36"	7.5"	26"
S	17"	38"	8"	27"
M	18"	40"	8.5"	28"
L	19"	42"	9"	29"
XL	20"	44"	9.5"	30"
2XL	21"	46"	10"	31"
3XL	22"	48"	10.5"	32"
4XL	23"	50"	11"	33"
5XL	24"	52"	11.5"	33.5"

Note : Size may varies +/-5% from the above mentioned chart.

### COLORS SELECTION



UH2701  
WHITE



UH2702  
BLACK



UH2706  
LIGHT GREY



UH2707  
DARK GREY



UH2712  
NAVY BLUE

# UZONE ULTIFRESH DOUBLE PIQUE



Anti Bacterial  
& Anti-Odor  
Finishing

Double  
Pique Knit



## UH02

### FD TWIN TIPPED POLO T-SHIRT (UNISEX)

- 60% Polyester + 40% Cotton
- Dual Stripe Design
- Moisture Wicking & Sweat Absorbent
- Eco-Friendly & Water Saving



Size	Shoulder	Chest	Sleeve	Length
2XS	15"	34"	7"	25"
XS	16"	36"	7.5"	26"
S	17"	38"	8"	27"
M	18"	40"	8.5"	28"
L	19"	42"	9"	29"
XL	20"	44"	9.5"	30"
2XL	21"	46"	10"	31"
3XL	22"	48"	10.5"	32"
4XL	23"	50"	11"	33"
5XL	24"	52"	11.5"	33.5"

Note : Size may varies +/-5% from the above mentioned chart.

• 220gsm | 6.49oz



UH0202  
BLACK



UH0206  
LIGHT GREY



UH0207  
DARK GREY



UH0212  
NAVY BLUE



# UZONE ULTIFRESH DOUBLE PIQUE



Anti Bacterial  
& Anti-Odor  
Finishing

Contrast  
Mandarin  
Collar Design



## UH03

### ACE COLLAR POLO T-SHIRT (UNISEX)

- 60% Polyester + 40% Cotton
- Dual Stripe Design
- Moisture Wicking & Sweat Absorbent
- Eco-Friendly & Water Saving



UH0301  
WHITE + NAVY + RED



UH0302  
BLACK + GREY + RED



UH0307  
NAVY + GREY + RED



UH0330  
LIGHT GREY + BLACK + RED

Size	Shoulder	Chest	Sleeve	Length
2XS	15"	34"	7"	25"
XS	16"	36"	7.5"	26"
S	17"	38"	8"	27"
M	18"	40"	8.5"	28"
L	19"	42"	9"	29"
XL	20"	44"	9.5"	30"
2XL	21"	46"	10"	31"
3XL	22"	48"	10.5"	32"
5XL	24"	52"	11.5"	33.5"

Note : Size may varies +/-5% from the above mentioned chart.

• 220gsm | 6.49oz



# UZONE BOMBER



## UVJ01

### ZIP UP JACKET (UNISEX)

- 100% Performance Dri-Fit Polyester
- 100% Polyester Inner Lining
- Moisture Wicking & Sweat Absorbent
- Eco Friendly & Water Saving

Size	Shoulder	Chest	Sleeve	Length
2XS	16"	37"	21.5"	25"
XS	17"	39"	22.5"	26"
S	18"	41"	23.5"	27"
M	18.5"	43"	24"	28"
L	19"	45"	25"	29"
XL	20"	47"	25.5"	30"
2XL	21"	49"	26.5"	31"
3XL	22"	51"	27"	32"
4XL	23"	53"	27.5"	33.5"
5XL	24"	55"	28"	34"

Note : Size may varies +/-5% from the above mentioned chart.

- Shell : 55gsm | 1.62oz
- Inner : 160gsm | 4.72oz



## COLORS SELECTION



UVJ0102  
BLACK



UVJ0103  
NAVY



UVJ0105  
MAROON



UVJ0120  
OLIVE



UVJ0128  
ORANGE



**SGS** Intertek  
TEST REPORT Total Quality Assured.



# UZONE ULTIFRESH FULL MOON

## UVJ03 ZIP UP JACKET (UNISEX)

- 92% Polyester + 8% Spandex
- Side Zip Pocket
- Matching Collar Rib
- Moisture Wicking & Sweat Absorbent
- Eco Friendly & Water Saving

Size	Shoulder	Chest	Sleeve	Length
2XS	16"	37"	21.5"	25"
XS	17"	39"	22.5"	26"
S	18"	41"	23.5"	27"
M	18.5"	43"	24"	28"
L	19"	45"	25"	29"
XL	20"	47"	25.5"	30"
2XL	21"	48"	26.5"	31"
3XL	22"	51"	27"	32"
4XL	23"	53"	27.5"	33"

Note : Size may varies +/-5% from the above mentioned chart.

● 280gsm | 8.26oz

### COLORS SELECTION



UVJ0302  
BLACK



UVJ0303  
NAVY



UVJ0307  
LIGHT GREY



# UZONE CITY JACKET

## UVJ05

### VARSITY JACKET (UNISEX)

ANTI BACTERIAL & Anti-Odor Finishing

Double Striped Rib (Collar, Hem & Sleeve)



- 92% Polyester + 8% Spandex
- Color Matching Matt Button
- 2 Front Pockets
- Moisture Wicking & Sweat Absorbent
- Eco Friendly & Water Saving

Size	Shoulder	Chest	Sleeve	Length
2XS	16"	37"	22"	23.5"
XS	17"	39"	22.5"	24.5"
S	18"	41"	23.5"	25.5"
M	18.5"	43"	24"	26.5"
L	19.5"	45"	25"	27.5"
XL	20"	47"	25.5"	28.5"
2XL	21"	48"	26.5"	29.5"
3XL	22"	51"	27.5"	30.5"
4XL	23"	53"	28"	31.5"

Note : Size may varies +/-5% from the above mentioned chart.

• 280gsm | 8.26oz

### COLORS SELECTION



UVJ0502  
BLACK + WHITE



UVJ0503  
NAVY BLUE + WHITE



UVJ0504  
CRIMSON RED + WHITE



UVJ0512  
ROYAL BLUE + WHITE



UVJ0526  
BLACK + RED



**BEAM APPAREL PROMOTES  
NEW MINIMALISM**

*A concept which allows our daily wear to be something comfortable,  
contemporary and be worn in nearly all occasions.*



**CLOVERPLUS**  
extra soft . extra comfort

*Be Amazed With Cloverplus Cotton*





**NEW!**

**BCK0103 : NAVY BLUE  
BEAM CLOVERPLUS  
COTTON**

# BEAM PREMIUM COTTON

**NEW BCK01**

## SHORT SLEEVE T-SHIRT (KIDS)

- 100% BEAM Premium Cotton
- Available in 10 Colors
- Comfortable & Soft
- Enzyme Wash
- Matching Ribbed Collar
- Pre-Shrunk
- Tubular Body

- 170gsm | 5.01oz (BCK0101)
- 160gsm | 4.72oz (THE REST)

Size	Shoulder	Chest	Sleeve	Length
2-4	11"	24"	5"	17"
5-6	12"	26"	6"	18"
7-8	13"	28"	6.5"	20"
9-10	15"	30"	6.5"	21"
11-12	15"	34"	7"	23"

Note : Size may varies +/-5% from the above mentioned chart.



*Cloverplus Cotton are enzyme washed & they are more comfortable than normal cotton. It's the perfect solution for work, play & daily wear.*

## COLORS SELECTION



**BCK0101  
WHITE**



**BCK0102  
BLACK**



**BCK0103  
NAVY BLUE**



**BCK0104  
RED**



**BCK0105  
MAROON**



**BCK0106  
LIGHT GREY**



**BCK0112  
ROYAL BLUE**



**BCK0113  
ORANGE**



**BCK0117  
YELLOW**



**BCK0146  
KELLY GREEN**



**NEW!**

**BCR0105 : MAROON  
BEAM CLOVERPLUS  
COTTON**



# BEAM PREMIUM COTTON

## **NEW BCR01** **SHORT SLEEVE** **T-SHIRT (UNISEX)**

- 100% BEAM Premium Cotton
  - Available in 10 Colors
  - Comfortable & Soft
  - Enzyme Wash
  - Matching Ribbed Collar
  - Pre-Shrunk
  - Suitable for all Asian Physiques
  - Tubular Body
- 170gsm | 5.01oz (BCR0101)
  - 160gsm | 4.72oz (THE REST)

Size	Shoulder	Chest	Sleeve	Length
XS	16"	36"	7"	25.5"
S	16.5"	38"	8"	27"
M	17.5"	40"	8.5"	28"
L	18.5"	42"	8.5"	29"
XL	19.5"	44"	9"	30"
2XL	21"	46"	9.5"	31"
3XL	22"	48"	10"	32"
4XL	22.5"	50"	10.5"	33"
5XL	23"	52"	11"	34"
7XL	25"	56"	12"	36"

Note : Size may varies +/-5% from the above mentioned chart.



CLOVERPLUS  
extra soft extra comfort

*Cloverplus Cotton are enzyme washed & they are more comfortable than normal cotton. It's the perfect solution for work, play & daily wear.*

## COLORS SELECTION



BCR0101  
WHITE



BCR0102  
BLACK



BCR0103  
NAVY BLUE



BCR0104  
RED



BCR0105  
MAROON



BCR0106  
LIGHT GREY



BCR0112  
ROYAL BLUE



BCR0113  
ORANGE



BCR0117  
YELLOW



BCR0146  
KELLY GREEN



**NEW!**

BCRG0102 : BLACK  
BEAM CLOVERPLUS  
COTTON

# BEAM SUPREME COTTON

**NEW BCRG01**  
**200 GSM SHORT SLEEVE**  
**T-SHIRT (UNISEX)**

- 100% BEAM Supreme Cotton
  - Available in 2 Colors
  - Breathable & Durable
  - Comfortably Styled & Soft Textured
  - Enzyme Wash
  - Matching Ribbed Collar
  - Pre-Shrunk
  - Side Seam
  - Suitable for all Asian Physiques
- 200gsm | 5.90oz

Size	Shoulder	Chest	Sleeve	Length
XS	16"	36"	7"	25.5"
S	16.5"	38"	8"	27"
M	17.5"	40"	8.5"	28"
L	18.5"	42"	8.5"	29"
XL	19.5"	44"	9"	30"
2XL	21"	46"	9.5"	31"
3XL	22"	48"	10"	32"
4XL	22.5"	50"	10.5"	33"
5XL	23"	52"	11"	34"
7XL	25"	56"	12"	36"

Note : Size may varies +/-5% from the above mentioned chart.



*Cloverplus Cotton are enzyme washed & they are more comfortable than normal cotton. It's the perfect solution for work, play & daily wear.*

## COLORS SELECTION



BCRG0101  
WHITE



BCRG0102  
BLACK



BPT0101 : WHITE  
BEAM CLOVERPLUS  
COTTON



# BEAM LACOSTE COTTON

## BPT01 POLO T-SHIRT (UNISEX)

- 100% BEAM Lacoste Cotton
  - Available in 3 Colors
  - BEAM Signature Polo Style
  - Designed to Fit Your Contour Perfectly
  - Enzyme Wash
  - Highly Breathable, Comfortable & Durable
  - Matching Buttons, Cuffs & Ribbed Collar
  - Pre-Shrunk
  - Smart Casual Outlook
- 200gsm | 5.90oz (BPT0101)
  - 190gsm | 5.60oz (THE REST)

Size	Shoulder	Chest	Sleeve	Length
2XS	15"	34"	7"	25"
XS	16"	36"	7.5"	26"
S	17"	38"	8"	27"
M	18"	40"	8.5"	28"
L	19"	42"	9"	29"
XL	20"	44"	9.5"	30"
2XL	21"	46"	10"	31"
3XL	22"	48"	10.5"	32"
4XL	23"	50"	11"	33"
5XL	24"	52"	11.5"	33.5"
7XL	26"	56"	12"	36"

Note : Size may varies +/-5% from the above mentioned chart.



*Cloverplus Cotton are enzyme washed & they are more comfortable than normal cotton. It's the perfect solution for work, play & daily wear.*

### COLORS SELECTION



BPT0101  
WHITE



BPT0102  
BLACK



BPT0103  
NAVY BLUE



BPT0104  
RED  
**NEW**



BPT0105  
MAROON  
**NEW**



BPT0106  
LIGHT GREY  
**NEW**



BPT0112  
ROYAL BLUE  
**NEW**



BPT0113  
ORANGE  
**NEW**



BPT0117  
YELLOW  
**NEW**



BPT0146  
KELLY GREEN  
**NEW**



# BEAM PREMIUM COTTON

## NEW BCL01 LONG SLEEVE T-SHIRT (UNISEX)

- 100% BEAM Premium Cotton
  - Available in 10 Colors
  - Comfortable & Soft
  - Enzyme Wash
  - Matching Ribbed Collar
  - Pre-Shrunk
  - Tailored to Fit All Body Contours
  - Tubular Body
- 170gsm | 5.01oz (BCL0101)
  - 160gsm | 4.72oz (THE REST)

Size	Shoulder	Chest	Sleeve	Length
2XS	15"	34"	20"	25"
XS	16"	36"	21"	26"
S	17"	38"	22"	27"
M	18"	40"	23"	28"
L	19"	42"	24"	29"
XL	20"	44"	25"	30"
2XL	21"	46"	26"	31"
3XL	22"	48"	27"	32"
4XL	23"	50"	28"	33"
5XL	24"	52"	28.5"	33.5"

Note : Size may varies +/-5% from the above mentioned chart.

NEW!

BCL0105 : MAROON  
BEAM CLOVERPLUS  
COTTON



*Cloverplus Cotton are enzyme washed & they are more comfortable than normal cotton. It's the perfect solution for work, play & daily wear.*

### COLORS SELECTION



BCL0101  
WHITE



BCL0102  
BLACK



BCL0103  
NAVY BLUE



BCL0104  
RED



BCL0105  
MAROON



BCL0106  
LIGHT GREY



BCL0112  
ROYAL BLUE



BCL0113  
ORANGE



BCL0117  
YELLOW



BCL0146  
KELLY GREEN



## HDR30 HOODIE WITHOUT ZIP

Size	Shoulder	Chest	Sleeve	Length
2XS	15"	34"	23"	24.5"
XS	16"	36"	24.5"	25.5"
S	17"	38"	24.5"	26"
M	17.5"	41"	25"	27.5"
L	18.5"	43"	26"	28.5"
XL	19"	46"	27"	30"
2XL	20"	48"	27.5"	31"
3XL	20.5"	50"	28"	31.5"
4XL	21.5"	52.5"	29"	32.5"

Note : Size may varies +/-5% from the above mentioned chart.  
 • 220gsm | 6.49oz

Unlined Hood With  
Matching Drawstring



- Cotton / Polyester Blend
- Kangaroo Pockets With Ribbed Finishing
- Double Needle Cuffs And Waistband For Extra Durability

### COLORS SELECTION



HDR3001  
PEARL WHITE



HDR3002  
ONYX BLACK



HDR3003  
NAVY BLUE



HDR3004  
CRIMSON RED



HDR3006  
LIGHT GREY



## HDR40 HOODIE WITH ZIP

Size	Shoulder	Chest	Sleeve	Length
2XS	15"	34"	23"	24.5"
XS	16"	36"	24.5"	25.5"
S	17"	38"	24.5"	26"
M	17.5"	41"	25"	27.5"
L	18.5"	43"	26"	28.5"
XL	19"	46"	27"	30"
2XL	20"	48"	27.5"	31"
3XL	20.5"	50"	28"	31.5"
4XL	21.5"	52.5"	29"	32.5"

Note : Size may varies +/-5% from the above mentioned chart.  
 • 220gsm | 6.49oz

Unlined Hood With Matching Drawstring



- Cotton / Polyester Blend
- Pouch Pockets
- Matching Zip
- Double Needle Cuffs And Waistband For Extra Durability

### COLORS SELECTION



HDR4001  
PEARL WHITE



HDR4002  
ONYX BLACK



HDR4003  
NAVY BLUE



HDR4004  
CRIMSON RED



HDR4006  
LIGHT GREY



## RGN21 LONG SLEEVE SWEAT SHIRT (UNISEX)

Size	Shoulder	Chest	Sleeve	Length
2XS	15"	33.5"	22"	24.5"
XS	16"	36"	24"	25.5"
S	17"	38.5"	24"	26"
M	17.5"	41"	25"	27.5"
L	18.5"	43"	25.5"	28.5"
XL	19"	45.5"	26.5"	30"
2XL	20"	48"	27"	31"
3XL	20.5"	50"	28"	31.5"
4XL	21.5"	52.5"	29"	32.5"
5XL	22"	53"	29"	34.5"
7XL	24"	59"	31.5"	35"

Note : Size may varies +/-5% from the above mentioned chart.

• 220gsm | 6.49oz



- Cotton / Polyester Blend
- Crew Neck, Long Sleeve Design
- Available in 6 Colors
- Double Needle Cuffs and Waistband For Extra Durability

### COLORS SELECTION



RGN2101  
PEARL WHITE



RGN2102  
ONYX BLACK



RGN2103  
NAVY BLUE



RGN2104  
CRIMSON RED



RGN2106  
LIGHT GREY



RGN2138  
LIGHT PINK



**AKJ01**  
**LIGHTWEIGHT MICROFIBER**  
**JACKET IN A BAG (PACKABLE)**



*Unique printed patterns*

- 100% Light Weight Polyester
- UPF40 + Coating
- Fully Sewn Built in Hoodie Design
- Packable Drawstring Bag Included
- Comes with Unique Pattern Prints on Front Panel

Size	Chest	Sleeve	Length
S	40"	27.5"	25"
M	41"	28.5"	26"
L	43"	29"	26.5"
XL	44"	30"	27"
2XL	46"	31"	28"
3XL	48"	31.5"	29"
4XL	49"	32.5"	29.5"

Note : Size may varies +/-5% from the above mentioned chart.

**COLORS SELECTION**



AKJ0101  
BLACK



AKJ0102  
ROYAL BLUE



AKJ0103  
LIME GREEN



AKJ0104  
ORANGE



AKJ0105  
YELLOW



AKJ0106  
SKY BLUE



AKJ0107  
RED



AKJ0108  
BRIGHT PINK



AKJ0110  
PINK



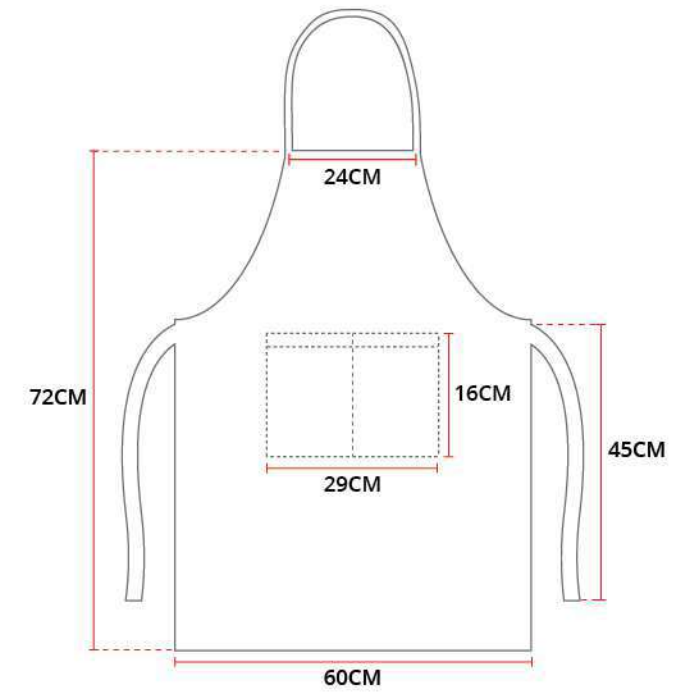
AKJ0111  
WHITE



QUALITY APPAREL

**APR10**  
**APRON**  
**100% POLYESTER**

- 100% Polyester
- Back Lace Design
- Front Pockets
- Customizable
- Available In 12 Colors
- Free Size
- 140gsm | 4.13oz



Note : Size may varies +/-5% from the above mentioned chart.

**COLORS SELECTION**



APR101  
BURGUNDY



APR102  
ORANGE



APR103  
PEARL WHITE



APR104  
SKY BLUE



APR105  
LIME GREEN



APR106  
ROSE PINK



APR107  
YELLOW



APR108  
BLACK



APR109  
COFFEE



APR110  
RED



APR111  
KHAKI



APR112  
NAVY BLUE



## FTL3 OXFORD CORPORATE SHIRT (UNISEX)

Size	Shoulder	Chest	Sleeve	Length
S (38)	16.5"	37"	21.5"	27"
M (39)	17"	39"	22"	28.5"
L (40)	17"	40"	22"	29"
XL (41)	17.5"	42"	22"	30"
2XL (42)	18"	44"	22.5"	29.5"
3XL (43)	19"	46"	23"	30"
4XL (44)	19"	47"	23"	30"

Note : Size may varies +/-5% from the above mentioned chart.

• 170gsm | 5.01oz



- 60% Cotton + 40% Oxford Fabric
- Hidden Buttons Behind Collar For An Alternate Look
- One Chest Pocket On The Left
- Full Placket Buttons

### COLORS SELECTION



FTL301  
PEARL WHITE



FTL302  
ONYX BLACK



FTL303  
NAVY BLUE



FTL306  
LIGHT GREY



FTL338  
LIGHT PINK



FTL340  
LAKE BLUE



## ACS11

### HIGH QUALITY CORPORATE LONG SLEEVE SHIRT

- 40% Cotton + 60% Polyester Fabric
- Full Placket Buttons
- Moisture Wicking Technology
- Poplin Finishing
- V-Edge Collar Design With Iron Fusing

#### UNISEX

Size	Shoulder	Chest	Sleeve	Length
S (38)	16.5"	37"	22"	28.5"
M (39)	17"	38"	22.5"	28.5"
L (40)	17.5"	39"	22.5"	28.5"
XL (41)	18"	40"	22.5"	29.5"
2XL (42)	18.5"	43"	23.5"	30"
3XL (43)	19.5"	45"	23.5"	31"
4XL (44)	19.5"	46"	24"	31"

Note : Size may varies +/-5% from the above mentioned chart.

- 120gsm | 3.54oz



QUALITY APPAREL

## FTL1

### HIGH QUALITY CORPORATE LONG SLEEVE SHIRT

#### FEMALE

Size	Shoulder	Chest	Sleeve	Length
XS (35)	15"	35"	21"	23"
S (36)	15"	36"	21"	23.5"
M (37)	16"	38"	21"	24.5"
L (38)	16"	39"	21.5"	25"
XL (39)	17"	41"	21.5"	25.5"
2XL (40)	17"	42"	22.5"	26"
3XL (41)	17.5"	44"	22.5"	26.5"
5XL (42)	18"	45"	23"	27"

Note : Size may varies +/-5% from the above mentioned chart.

- 120gsm | 3.54oz



#### COLORS SELECTION



ACS110  
MAROON RED



ACS111  
BLACK



ACS112  
LIGHT PINK



ACS113  
LIGHT BLUE



ACS114  
WHITE



#### COLORS SELECTION



FTL101  
WHITE



FTL110  
LIGHT BLUE



FTL138  
PINK



**HIGH QUALITY CORPORATE  
SHORT SLEEVE SHIRT**

- 40% Cotton + 60% Polyester Fabric
- Full Placket Buttons
- Moisture Wicking Technology
- Poplin Finishing
- V-Edge Collar Design With Iron Fusing

**UNISEX**

Size	Shoulder	Chest	Sleeve	Length
S (38)	17"	36"	8"	28.5"
M (39)	17"	38"	8"	28.5"
L (40)	17.5"	41"	8"	29"
XL (41)	18"	42"	8.5"	29"
2XL (42)	18"	43"	8.5"	30"
3XL (43)	19"	46"	8.5"	30"
4XL (44)	19.5"	48"	9"	30.5"

Note : Size may varies +/-5% from the above mentioned chart.

- 120gsm | 3.54oz



**HIGH QUALITY CORPORATE  
SHORT SLEEVE SHIRT**

**FEMALE**

Size	Shoulder	Chest	Sleeve	Length
XS (35)	15"	35"	6.5"	23"
S (36)	16"	36"	6.5"	23.5"
M (37)	16"	38"	7"	24"
L (38)	16.5"	40"	7"	25"
XL (39)	17"	41"	8"	25.5"
2XL (40)	17"	42"	8"	26"
3XL (41)	17"	43"	8.5"	27"
5XL (42)	18"	46"	8.5"	27.5"

Note : Size may varies +/-5% from the above mentioned chart.

- 120gsm | 3.54oz



**COLORS SELECTION**



TCS101  
WHITE



TCS102  
BLACK



TCS110  
LIGHT BLUE



**COLORS SELECTION**



FTS101  
WHITE



FTS102  
BLACK



FTS110  
LIGHT BLUE





QUALITY APPAREL

# PREMIUM

## 2 BUTTON FITTED BLAZER (MALE CUTTING)



CBM3502  
BLACK

CBM3503  
NAVY BLUE

- 65% Polyester 35% Rayon
- 100% Polyester (Shell)
- Flat Collar Design
- 2 Buttons
- 3 External Pockets & 2 Internal Pockets
- Full Suit Available

### JACKET SIZE CHART

Size	Shoulder	Chest	Sleeve	Length
165/S	15.5"	34"	22"	26.5"
170/M	16"	37"	23"	27.5"
175/L	16.5"	39"	23.5"	28"
180/XL	17"	40"	24"	29"
185/2XL	17.5"	42"	24.5"	29.5"
190/3XL	18"	43"	25.5"	30"
195/4XL	18.5"	45"	25.5"	31"

Note : Size may varies +/-5% from the above mentioned chart.



PAT0102  
BLACK

PAT0103  
NAVY BLUE

### PANT SIZE CHART

Size	Waist	Hip	Length
165/S	29"	36.2"	39.3"
170/M	30"	37.4"	40"
175/L	31.5"	38.5"	41"
180/XL	32.6"	40"	41.7"
185/2XL	34"	41.3"	42.5"
190/3XL	35.8"	43"	42.5"
195/4XL	37.4"	44.5"	42.5"

Note : Size may varies +/-5% from the above mentioned chart.



Classic Button Down  
Back Pocket

Elastic Waist Band  
Design



# PREMIUM

## 2 BUTTON FITTED BLAZER (FEMALE CUTTING)



CBM2502  
BLACK

CBM2503  
NAVY BLUE

- 65% Polyester 35% Rayon
- 100% Polyester (Shell)
- Flat Collar Design
- 2 Buttons
- 2 External Pockets
- Full Suit Available

### JACKET SIZE CHART

Size	Shoulder	Chest	Sleeve	Length
155/XS	13.5"	31"	22"	23"
160/S	13.5"	33"	22.5"	23"
165/M	14"	34"	22.5"	24"
170/L	14.5"	35"	22.5"	24.5"
175/XL	15.5"	38"	23"	25"
180/2XL	16"	39"	23"	26"
185/3XL	16"	40"	23.5"	26"
190/4XL	16.5"	42"	24"	27"

Note : Size may varies +/-5% from the above mentioned chart.



SKT0202  
BLACK

SKT0203  
NAVY BLUE

### SKIRT SIZE CHART

Size	Waist	Hip	Length
155/XS	24.8"	33"	18"
160/S	26.3"	34.6"	18.3"
165/M	27.5"	36.2"	18.5"
170/L	29"	37.8"	19.7"
175/XL	30"	39.3"	19"
180/2XL	32.2"	41"	19"
185/3XL	33.8"	42.5"	19.3"
190/4XL	35.4"	44"	19.3"

Note : Size may varies +/-5% from the above mentioned chart.



2 Side Pockets in Front



Hidden Zipper at the Back



**PRE-ORDER**



QUALITY APPAREL

- 100% Premium Cotton
- Matching Ribbed Collar
- Available in 15 Colors
- 2/4 years - 13/14 years
- 170gsm-175gsm

**KSS01  
SHORT SLEEVE T-SHIRT (KIDS)**

Size	Shoulder	Chest	Sleeve	Length
2-4	11"	24"	5"	17"
5-6	12"	26"	6"	18"
7-8	13"	28"	6.5"	20"
9-10	15"	30"	6.5"	21"
11-12	15"	34"	7"	23"
13-14	17"	36"	7"	24"

Note : Size may varies +/-5% from the above mentioned chart.



**COLORS SELECTION**



KSS01-18  
LIME GREEN



KSS01-23  
PURPLE



KSS01-39  
INDIGO BLUE



KSS01-40  
BOTTLE GREEN



KSS01-41  
OLIVE



KSS01-44  
AQUA



KSS01-45  
FUSCHIA



## USS01 SHORT SLEEVE T-SHIRT (UNISEX)

- 100% Premium Cotton (Unisex)
- Matching Rib Collar
- Available In 18 Colors
- XS-5XL Size

Size	Shoulder	Chest	Sleeve	Length
XS	15"	36"	7"	26"
S	17"	38"	7.5"	27"
M	18"	40"	7.5"	28"
L	19"	42"	8"	29"
XL	20"	44"	8"	30"
2XL	20.5"	46"	8.5"	31"
3XL	22"	48"	8.5"	31.5"
4XL	23"	50"	9"	32"
5XL	24"	52"	9.5"	33"

Note : Size may varies +/-5% from the above mentioned chart.

### COLORS SELECTION



USS01-18  
LIME GREEN



USS01-23  
PURPLE



USS01-39  
INDIGO BLUE



USS01-40  
BOTTLE GREEN



USS01-41  
OLIVE



USS01-42  
SAND



USS01-43  
STONE



USS01-44  
AQUA



USS01-45  
FUSCHIA



## UPT01 POLO T-SHIRT (UNISEX)

- 100% Premium "LACOSTE" Fabric
- Matching Color Button
- Matching Ribbed Collar & Cuffs
- Available In 15 Colors
- XS-3XL Size

Size	Shoulder	Chest	Sleeve	Length
XS	15"	36"	8"	26"
S	16"	38"	8.5"	27"
M	18"	40"	8.5"	28"
L	18"	41"	9"	29"
XL	19"	44"	9"	30"
2XL	20"	44"	9.5"	30.5"
3XL	21"	48"	9.5"	31"

Note : Size may varies +/-5% from the above mentioned chart.

### COLORS SELECTION



UPT01-18  
LIME GREEN



UPT01-23  
PURPLE



UPT01-40  
BOTTLE GREEN



UPT01-44  
AQUA



UPT01-45  
FUSCHIA



[www.uzone.com.my](http://www.uzone.com.my)